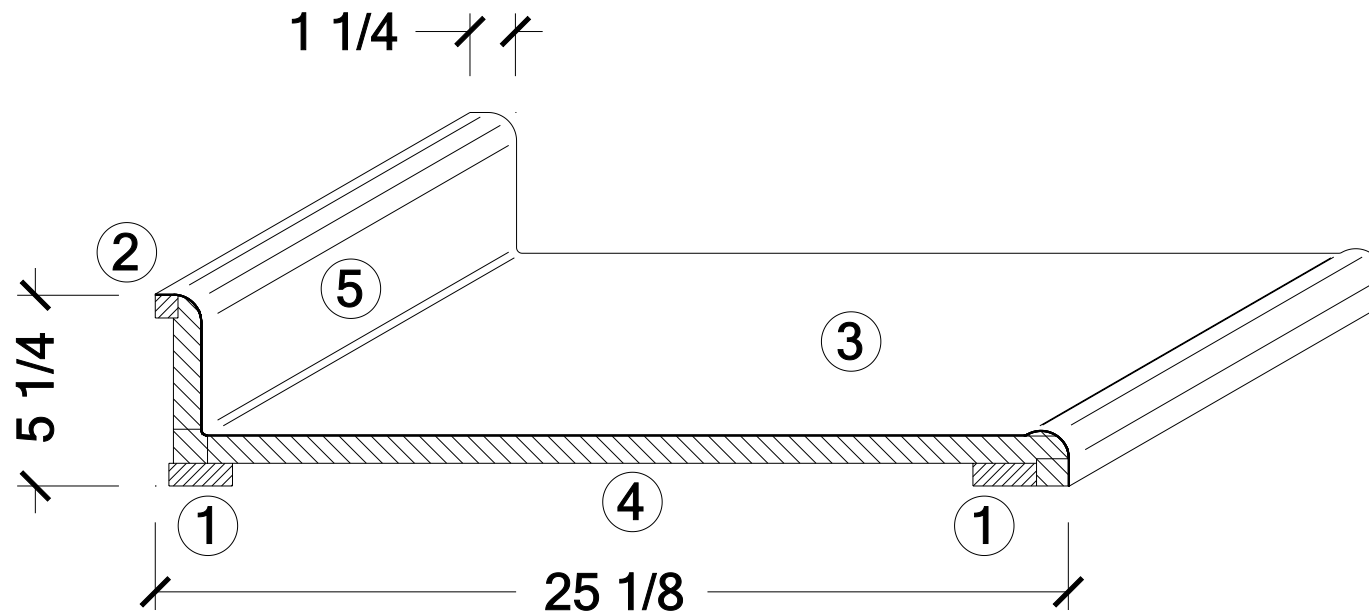


# D.K.I. MANUFACTURING



## TYPICAL POST-FORM COUNTERTOP CONSTRUCTION

- ① BUILD-UP - 1 3/4" wide continuous particle board glued and stapled
- ② SCRIBE STICK - 5/8" thick particle board for easy fitting
- ③ LAMINATE - postforming grade contact cemented to core
- ④ CORE - 3/4" thick solid particle board
- ⑤ SPLASH - 3/4" thick solid particle board covered and formed to core and scribe stick